

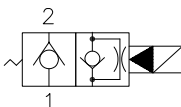
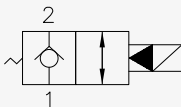
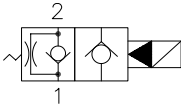
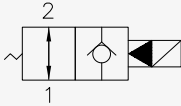
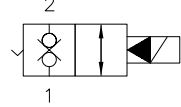
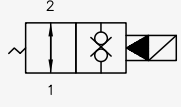
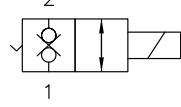
# TECNORD

SERVOCOMANDI E REGOLAZIONE

High pressure solenoid  
operated cartridges (up to 350 bar)  
2 ways - 2 positions, poppet type  
Size 08

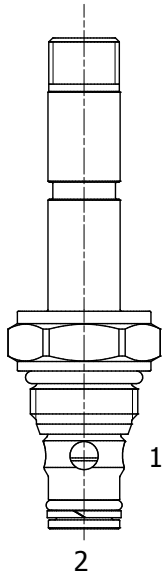


## INDEX

Schematic	Model	Description	LPM	BAR	GPM	PSI	Page
	HB-S2A	Pilot Operated Normally Closed	45	350	12	5000	2
	HB-S2B	Pilot Operated Normally Closed with Reverse Flow Energized	45	350	12	5000	4
	HB-S2C	Pilot Operated Normally Open	45	350	12	5000	6
	HB-S2D	Pilot Operated Normally Open with Reverse Flow De-Energized	45	350	12	5000	8
	HB-S2L	Pilot Operated Double Lock Normally Closed	45	350	12	5000	10
	HB-S2K	Pilot Operated Double Lock Normally Open	45	350	12	5000	12
	PB-S2I	Direct Acting Normally Closed	15	250	4	3600	14
<b>Coils Data - "P" Type "J" Coil</b>							<b>17</b>
<b>Valve Bodies</b>							<b>18</b>
<b>Manual Override Options</b>							<b>19</b>

**WARNING:** the specifications/application data shown in our catalogs and data sheets are intended only as a general guide for the product described (herein). Any specific application should not be undertaken without independent study, evaluation, and testing for suitability.

### HB-S2A Pilot Operated Poppet, 2 Way Normally Closed



#### DESCRIPTION

8 size, 3/4-16 thread, "Power" series, solenoid operated, 2 way normally closed, pilot operated poppet valve with reverse flow de-energized.

#### OPERATION

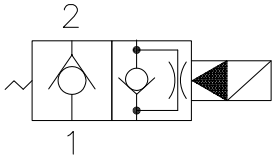
When de-energized the HB-S2A blocks flow from (1) to (2) and allows reverse flow from (2) to (1). When energized the valve allows flow from (1) to (2) and restricts flow from (2) to (1).

**MANUAL OVERRIDE OPTION:** to override, turn the manual override screw counter-clockwise. To release, turn the manual override screw clockwise.

#### FEATURES

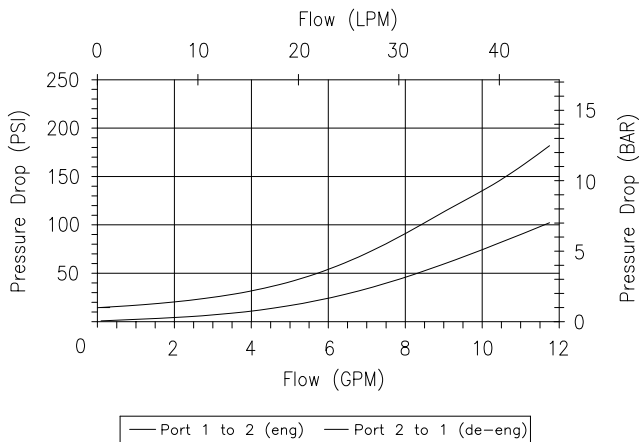
- Hardened parts for long life.
- Efficient wet-armature construction.
- Cartridges are voltage interchangeable.
- Manual override option.
- Industry common cavity.
- Unitized, molded coil design.
- Continuous duty rated solenoid.
- Optional coil voltages and terminations.

#### HYDRAULIC SYMBOL



#### PERFORMANCE

Actual Test Data (Cartridge Only)

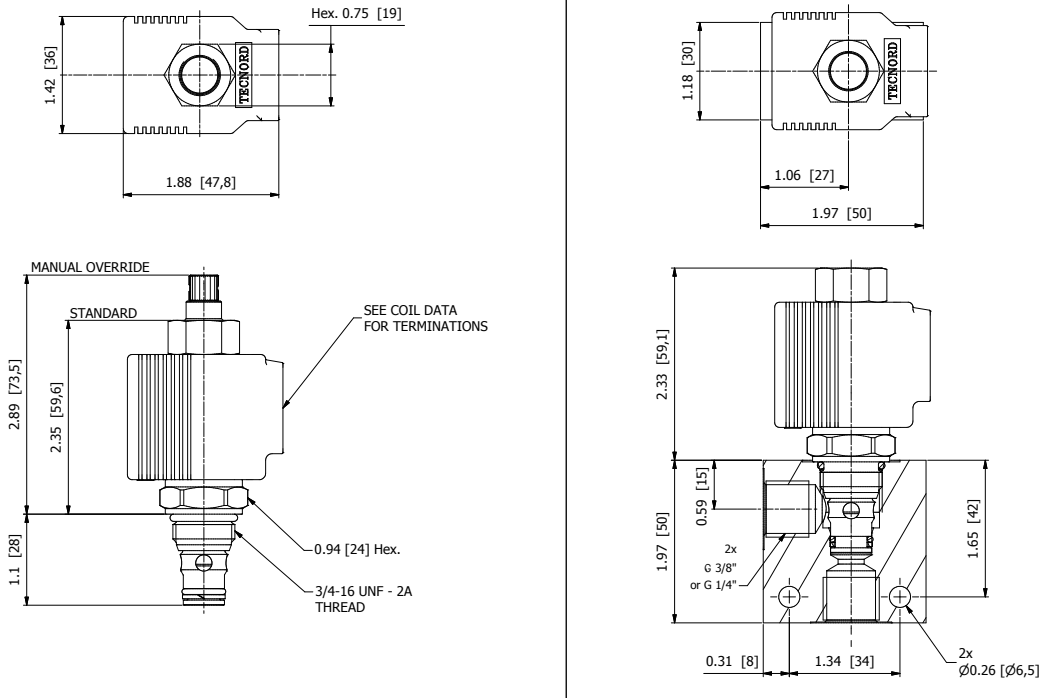


#### VALVE SPECIFICATIONS

Nominal Flow	12 GPM (45 LPM)
Rated Operating Pressure	5000 PSI (350 bar)
Typical Internal Leakage (150 SSU)	0-5 drops/min at 5000 PSI (350 bar)
Viscosity Range	36 to 3000 SSU (3 to 647 cSt)
Filtration	ISO 18/16/13
Media Operating Temp. Range	-40° to 210°F (-40° to 100°C)
	BUNA seals
	-4° to 250°F (-20° to 120°C)
	VITON seals
Weight	.29 lbs (.13 kg)
Operating Fluid Media	General Purpose Hydraulic Fluid
Cartridge Torque Requirements	41-47 Nm (30-35 ft-lbs)
Coil Nut Torque Requirements	4-6 Nm (3-4.5 ft-lbs)
Cavity	Power 2W
Cavity Tools Kit	40500005
Seal Kit	21191100

**WARNING:** the specifications/application data shown in our catalogs and data sheets are intended only as a general guide for the product described (herein). Any specific application should not be undertaken without independent study, evaluation, and testing for suitability.

DIMENSIONS



ORDERING INFORMATION

HB-S2A - - - -

<b>OPTIONS</b>	
Standard, Buna	<b>00</b>
Viton	<b>V0</b>
Buna, Screw Override	<b>0K</b>
Viton, Screw Override	<b>VK</b>

<b>BODIES</b>	
Blank	Without Body
<b>N</b>	1/4" BSP Ports (aluminum)
<b>N1</b>	3/8" BSP Ports (aluminum)
<b>S</b>	#6 SAE Ports
<b>H</b>	1/4" BSP Ports (steel)
<b>H1</b>	3/8" BSP Ports (steel)
<b>Aluminum bodies only for use up to 250 bar</b>	

<b>VOLTAGE</b>	(consult factory for other voltages)
<b>12</b>	12 Vdc
<b>24</b>	24 Vdc
<b>26</b>	26 Vdc

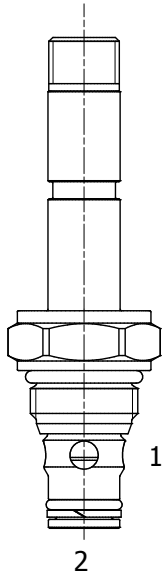
"P" TYPE "J" COIL TERMINATION

<b>JA</b>	"J" Coil AMP Superseal - Integral	<b>JJ</b>	"J" Coil AMP Jr. Time - Integral	<b>JL</b>	"J" Coil Double Lead
<b>JD</b>	"J" Coil Deutsch - Integral DT04-2P			<b>JH</b>	"J" Coil DIN 43650 (Hirschmann)

Approximate Coil Weight: .42 lbs (.19 kg)

**WARNING:** the specifications/application data shown in our catalogs and data sheets are intended only as a general guide for the product described (herein). Any specific application should not be undertaken without independent study, evaluation, and testing for suitability.

### HB-S2B Pilot Operated, 2 Way Normally Closed with Reversed Flow Energized



#### DESCRIPTION

8 size, 3/4-16 thread, "Power" series, solenoid operated, 2 way normally closed, pilot operated poppet valve with reverse flow energized and de-energized.

#### OPERATION

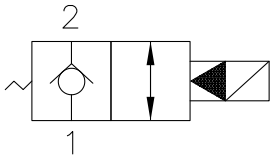
When de-energized the HB-S2B blocks flow from (1) to (2) and allows reverse flow from (2) to (1). When energized the valve allows flow from (1) to (2) and from (2) to (1).

**MANUAL OVERRIDE OPTION:** to override, turn the manual override screw counter-clockwise. To release, turn the manual override screw clockwise.

#### FEATURES

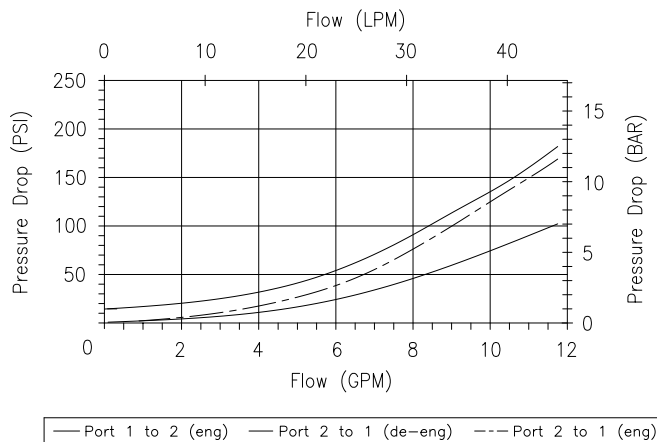
- Hardened parts for long life.
- Efficient wet-armature construction.
- Cartridges are voltage interchangeable.
- Manual override option.
- Industry common cavity.
- Unitized, molded coil design.
- Continuous duty rated solenoid.
- Optional coil voltages and terminations.

#### HYDRAULIC SYMBOL



#### PERFORMANCE

Actual Test Data (Cartridge Only)

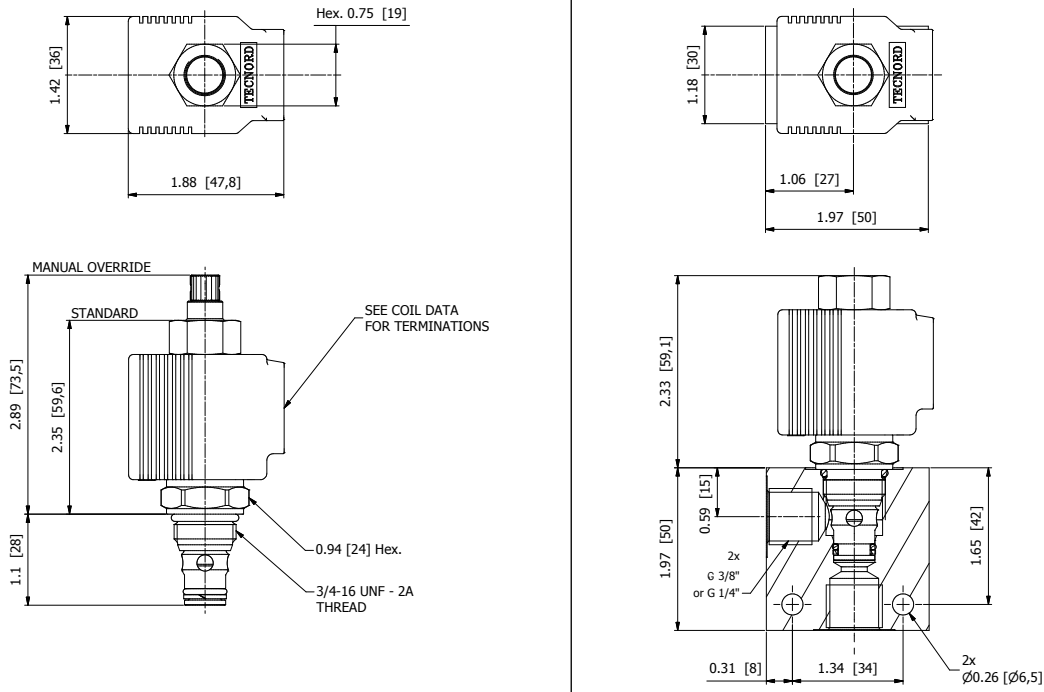


#### VALVE SPECIFICATIONS

Nominal Flow	12 GPM (45 LPM)
Rated Operating Pressure	5000 PSI (350 bar)
Typical Internal Leakage (150 SSU)	0-5 drops/min at 5000 PSI (350 bar)
Viscosity Range	36 to 3000 SSU (3 to 647 cSt)
Filtration	ISO 18/16/13
Media Operating Temp. Range	-40° to 210°F (-40° to 100°C)
	BUNA seals
	-4° to 250°F (-20° to 120°C)
	VITON seals
Weight	.29 lbs (.13 kg)
Operating Fluid Media	General Purpose Hydraulic Fluid
Cartridge Torque Requirements	41-47 Nm (30-35 ft-lbs)
Coil Nut Torque Requirements	4-6 Nm (3-4.5 ft-lbs)
Cavity	Power 2W
Cavity Tools Kit	40500005
Seal Kit	21191100

**WARNING:** the specifications/application data shown in our catalogs and data sheets are intended only as a general guide for the product described (herein). Any specific application should not be undertaken without independent study, evaluation, and testing for suitability.

DIMENSIONS



ORDERING INFORMATION

HB-S2B -

**OPTIONS**  
 Standard, Buna **00**  
 Viton **V0**  
 Buna, Screw Override **0K**  
 Viton, Screw Override **VK**

**BODIES**  
 Blank Without Body  
**N** 1/4" BSP Ports (aluminum)  
**N1** 3/8" BSP Ports (aluminum)  
**S** #6 SAE Ports  
**H** 1/4" BSP Ports (steel)  
**H1** 3/8" BSP Ports (steel)  
Aluminum bodies only for use up to 250 bar

**VOLTAGE** (consult factory for other voltages)  
**12** 12 VDC  
**24** 24 VDC  
**26** 26 VDC

"P" TYPE "J" COIL TERMINATION

**JA** "J" Coil AMP Superseal - Integral      **JJ** "J" Coil AMP Jr. Time - Integral      **JL** "J" Coil Double Lead  
**JD** "J" Coil Deutsch - Integral DT04-2P      **JH** "J" Coil DIN 43650 (Hirschmann)

Approximate Coil Weight: .42 lbs (.19 kg)

**WARNING:** the specifications/application data shown in our catalogs and data sheets are intended only as a general guide for the product described (herein). Any specific application should not be undertaken without independent study, evaluation, and testing for suitability.

### HB-S2C Pilot Operated Poppet, 2 Way Normally Open

#### DESCRIPTION

8 size, 3/4-16 thread, "Power" series, solenoid operated, 2 way normally open, pilot operated poppet valve with reverse flow energized.

#### OPERATION

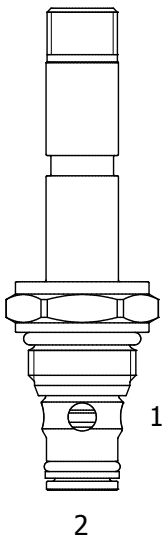
When de-energized the HB-S2C allows flow from (1) to (2) and restricted flow from (2) to (1).  
When energized the valve blocks flow from (1) to (2) and allows flow from (2) to (1).

**PUSH TYPE MANUAL OVERRIDE OPTION:** to override, push the manual override button.

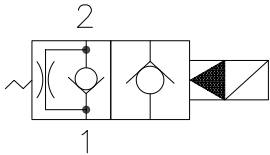
**SCREW TYPE MANUAL OVERRIDE OPTION:** to override, turn the manual override screw clockwise.  
To release, turn the manual override screw counter-clockwise.

#### FEATURES

- Hardened parts for long life.
- Efficient wet-armature construction.
- Cartridges are voltage interchangeable.
- Manual override option.
- Industry common cavity.
- Unitized, molded coil design.
- Continuous duty rated solenoid.
- Optional coil voltages and terminations.

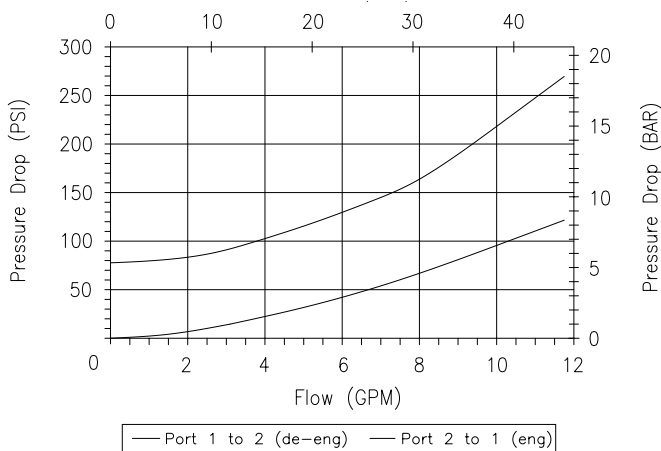


#### HYDRAULIC SYMBOL



#### PERFORMANCE

Actual Test Data (Cartridge Only)

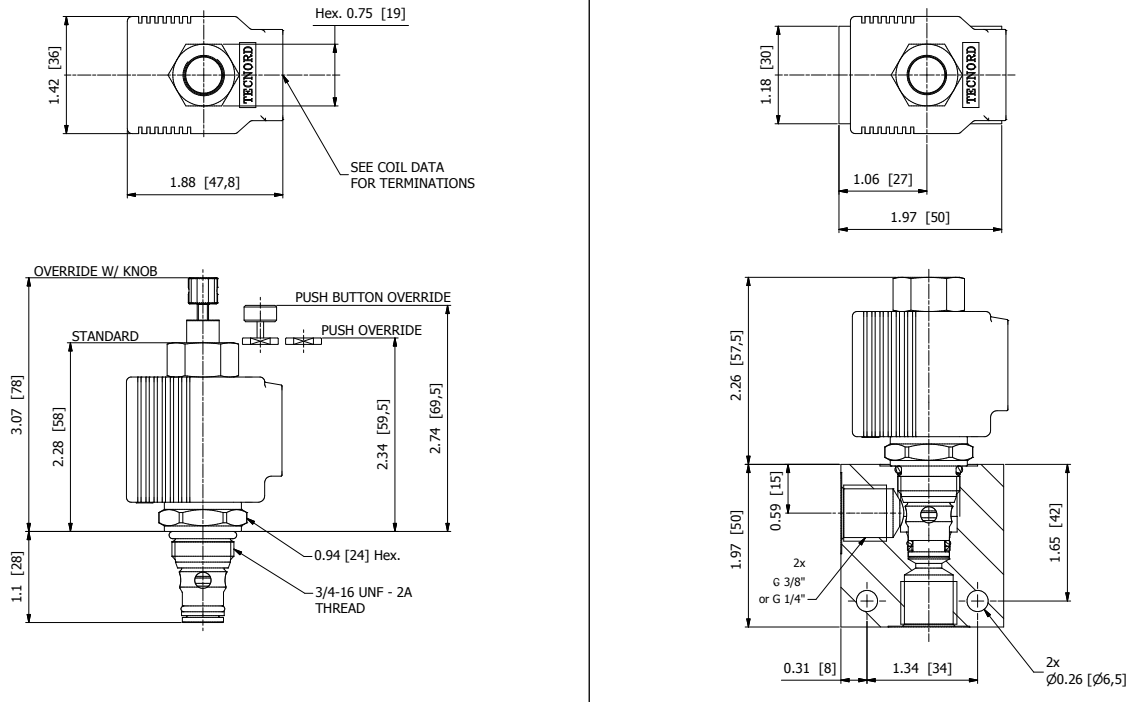


#### VALVE SPECIFICATIONS

Nominal Flow	12 GPM (45 LPM)
Rated Operating Pressure	5000 PSI (350 bar)
Typical Internal Leakage (150 SSU)	0-5 drops/min at 5000 PSI (350 bar)
Viscosity Range	36 to 3000 SSU (3 to 647 cSt)
Filtration	ISO 18/16/13
Media Operating Temp. Range	-40° to 210°F (-40° to 100°C)
	BUNA seals
	-4° to 250°F (-20° to 120°C)
	VITON seals
Weight	.29 lbs (.13 kg)
Operating Fluid Media	General Purpose Hydraulic Fluid
Cartridge Torque Requirements	41-47 Nm (30-35 ft-lbs)
Coil Nut Torque Requirements	4-6 Nm (3-4.5 ft-lbs)
Cavity	Power 2W
Cavity Tools Kit	40500005
Seal Kit	21191100

**WARNING:** the specifications/application data shown in our catalogs and data sheets are intended only as a general guide for the product described (herein). Any specific application should not be undertaken without independent study, evaluation, and testing for suitability.

DIMENSIONS



ORDERING INFORMATION

HB-S2C -

OPTIONS	
Standard, Buna	<b>00</b>
Viton	<b>V0</b>
Buna, Push Pin Override	<b>0P</b>
Viton, Push Pin Override	<b>VP</b>
Buna, Push Button Override	<b>0B</b>
Viton, Push Button Override	<b>VB</b>
Buna, Screw Override	<b>0K</b>
Viton, Screw Override	<b>VK</b>

BODIES	
Blank	Without Body
<b>N</b>	1/4" BSP Ports (aluminum)
<b>N1</b>	3/8" BSP Ports (aluminum)
<b>S</b>	#6 SAE Ports
<b>H</b>	1/4" BSP Ports (steel)
<b>H1</b>	3/8" BSP Ports (steel)
<b>Aluminum bodies only for use up to 250 bar</b>	

**VOLTAGE** (consult factory for other voltages)

<b>12</b>	12 VDC
<b>24</b>	24 VDC
<b>26</b>	26 VDC

**"P" TYPE "J" COIL TERMINATION**

<b>JA</b>	"J" Coil AMP Superseal - Integral	<b>JJ</b>	"J" Coil AMP Jr. Time - Integral	<b>JL</b>	"J" Coil Double Lead
<b>JD</b>	"J" Coil Deutsch - Integral DT04-2P			<b>JH</b>	"J" Coil DIN 43650 (Hirschmann)

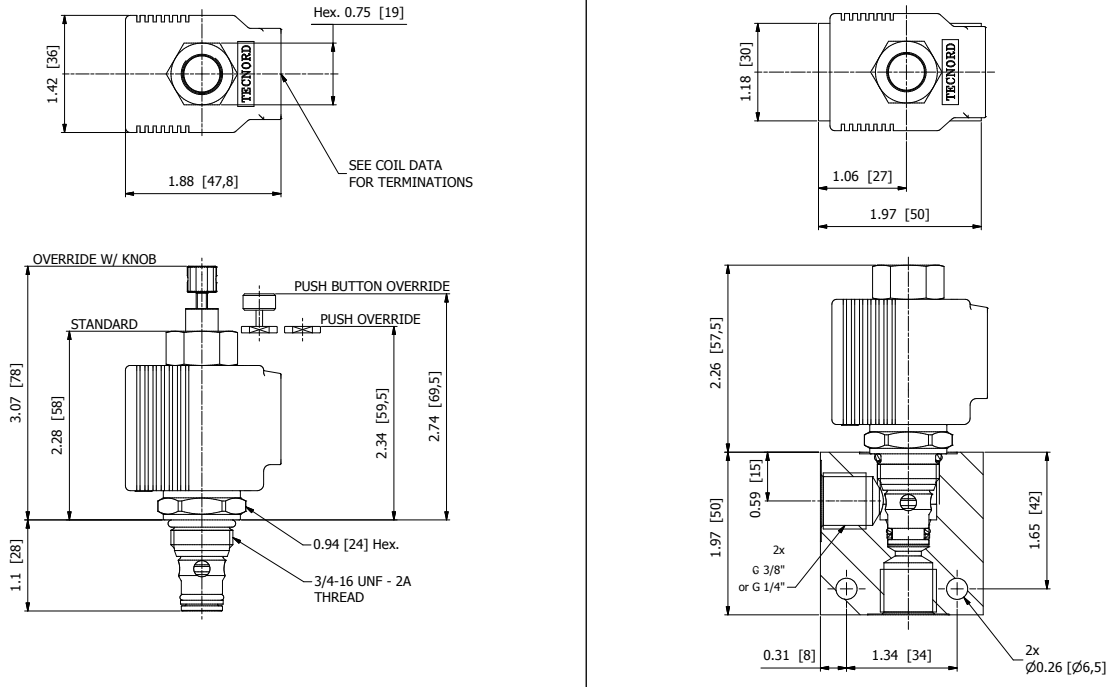
Approximate Coil Weight: .42 lbs (.19 kg)

**WARNING:** the specifications/application data shown in our catalogs and data sheets are intended only as a general guide for the product described (herein). Any specific application should not be undertaken without independent study, evaluation, and testing for suitability.





DIMENSIONS



ORDERING INFORMATION

HB-S2D -

OPTIONS	
Standard, Buna	00
Viton	V0
Buna, Push Pin Override	0P
Viton, Push Pin Override	VP
Buna, Push Button Override	0B
Viton, Push Button Override	VB
Buna, Screw Override	0K
Viton, Screw Override	VK

BODIES	
Blank	Without Body
N	1/4" BSP Ports (aluminum)
N1	3/8" BSP Ports (aluminum)
S	#6 SAE Ports
H	1/4" BSP Ports (steel)
H1	3/8" BSP Ports (steel)
<b>Aluminum bodies only for use up to 250 bar</b>	

VOLTAGE (consult factory for other voltages)	
12	12 Vdc
24	24 Vdc
26	26 Vdc

"P" TYPE "J" COIL TERMINATION

JA	"J" Coil AMP Superseal - Integral	JJ	"J" Coil AMP Jr. Time - Integral	JL	"J" Coil Double Lead
JD	"J" Coil Deutsch - Integral DT04-2P			JH	"J" Coil DIN 43650 (Hirschmann)

Approximate Coil Weight: .42 lbs (.19 kg)

**WARNING:** the specifications/application data shown in our catalogs and data sheets are intended only as a general guide for the product described (herein). Any specific application should not be undertaken without independent study, evaluation, and testing for suitability.

### HB-S2L Piloted Operated Poppet, 2 Way Double Lock Normally Closed

#### DESCRIPTION

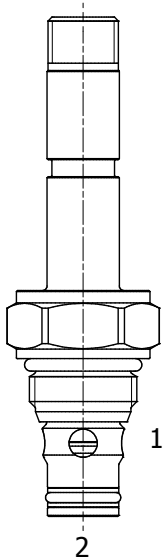
8 size, 3/4-16 thread, "Power" series, solenoid operated, 2 way double lock normally closed pilot operated, bi-directional poppet valve.

#### OPERATION

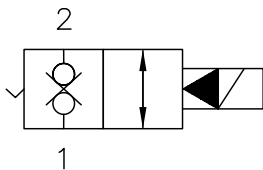
When de-energized the HB-S2L blocks flow from (1) to (2) and (2) to (1). When energized the valve allows flow from (1) to (2) and (2) to (1).

#### FEATURES

- Hardened parts for long life.
- Efficient wet-armature construction.
- Cartridges are voltage interchangeable.
- Industry common cavity.
- Unitized, molded coil design.
- Continuous duty rated solenoid.
- Optional coil voltages and terminations.

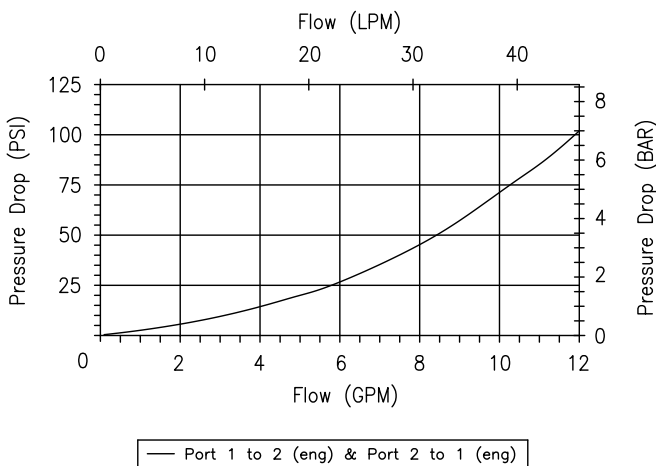


#### HYDRAULIC SYMBOL



#### PERFORMANCE

Actual Test Data (Cartridge Only)

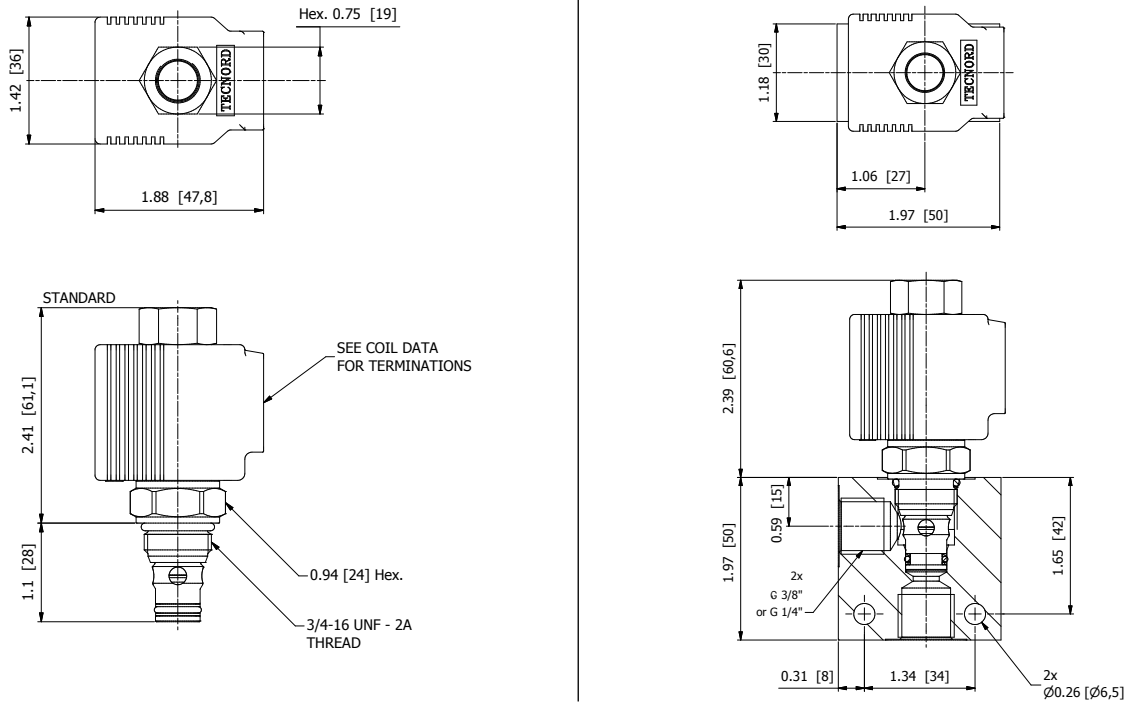


#### VALVE SPECIFICATIONS

Nominal Flow	12 GPM (45 LPM)
Rated Operating Pressure	5000 PSI (350 bar)
Typical Internal Leakage (150 SSU)	0-5 drops/min at 5000 PSI (350 bar)
Viscosity Range	36 to 3000 SSU (3 to 647 cSt)
Filtration	ISO 18/16/13
Media Operating Temp. Range	-40° to 210°F (-40° to 100°C)
	BUNA seals
	-4° to 250°F (-20° to 120°C)
	VITON seals
Weight	.29 lbs (.13 kg)
Operating Fluid Media	General Purpose Hydraulic Fluid
Cartridge Torque Requirements	41-47 Nm (30-35 ft-lbs)
Coil Nut Torque Requirements	4-6 Nm (3-4.5 ft-lbs)
Cavity	Power 2W
Cavity Tools Kit	40500005
Seal Kit	21191100

**WARNING:** the specifications/application data shown in our catalogs and data sheets are intended only as a general guide for the product described (herein). Any specific application should not be undertaken without independent study, evaluation, and testing for suitability.

DIMENSIONS



ORDERING INFORMATION

HB-S2L - - - -

**OPTIONS**

Standard, Buna **00**  
 Viton **V0**

**BODIES**

Blank Without Body  
**N** 1/4" BSP Ports (aluminum)  
**N1** 3/8" BSP Ports (aluminum)  
**S** #6 SAE Ports  
**H** 1/4" BSP Ports (steel)  
**H1** 3/8" BSP Ports (steel)  
Aluminum bodies only for use up to 250 bar

**VOLTAGE** (consult factory for other voltages)

**12** 12 Vdc  
**24** 24 Vdc  
**26** 26 Vdc

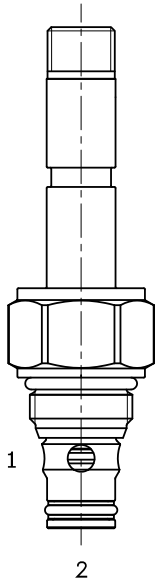
**"P" TYPE "J" COIL TERMINATION**

**JA** "J" Coil AMP Superseal - Integral      **JJ** "J" Coil AMP Jr. Time - Integral      **JL** "J" Coil Double Lead  
**JD** "J" Coil Deutsch - Integral DT04-2P      **JH** "J" Coil DIN 43650 (Hirschmann)

Approximate Coil Weight: .42 lbs (.19 kg)

**WARNING:** the specifications/application data shown in our catalogs and data sheets are intended only as a general guide for the product described (herein). Any specific application should not be undertaken without independent study, evaluation, and testing for suitability.

### HB-S2K Piloted Operated Poppet, 2 Way Double Lock Normally Open



#### DESCRIPTION

8 size, 3/4-16 thread, "Power" series, solenoid operated, 2 way double lock normally open, pilot operated bi-directional poppet valve.

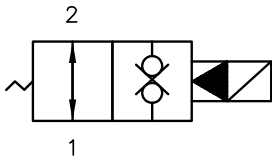
#### OPERATION

When de-energized the HB-S2K allows flow from (1) to (2) or from (2) to (1). When energized the valve blocks flow from (1) to (2) and allows flow from (2) to (1).

#### FEATURES

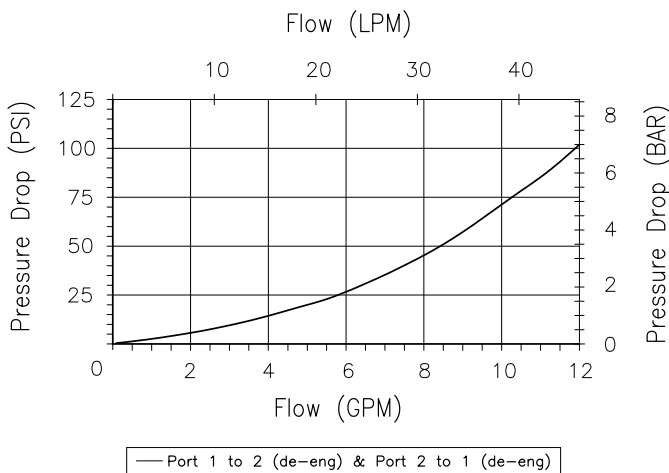
- Hardened parts for long life.
- Efficient wet-armature construction.
- Cartridges are voltage interchangeable.
- Manual override option.
- Industry common cavity.
- Unitized, molded coil design.
- Continuous duty rated solenoid.
- Optional coil voltages and terminations.

#### HYDRAULIC SYMBOL



#### PERFORMANCE

Actual Test Data (Cartridge Only)

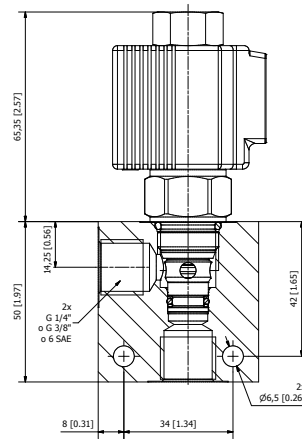
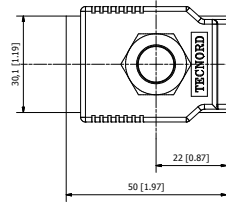
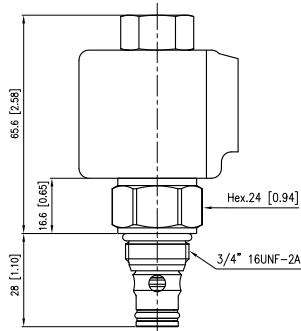
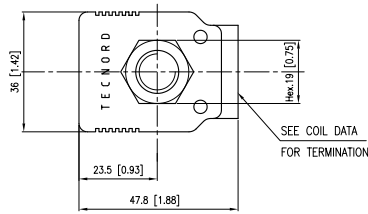


#### VALVE SPECIFICATIONS

Nominal Flow	12 GPM (45 LPM)
Rated Operating Pressure	5000 PSI (350 bar)
Typical Internal Leakage (150 SSU)	0-5 drops/min at 5000 PSI (350 bar)
Viscosity Range	36 to 3000 SSU (3 to 647 cSt)
Filtration	ISO 18/16/13
Media Operating Temp. Range	-40° to 210°F (-40° to 100°C)
	BUNA seals
	-4° to 250°F (-20° to 120°C)
	VITON seals
Weight	.29 lbs (.13 kg)
Operating Fluid Media	General Purpose Hydraulic Fluid
Cartridge Torque Requirements	41-47 Nm (30-35 ft-lbs)
Coil Nut Torque Requirements	4-6 Nm (3-4.5 ft-lbs)
Cavity	Power 2W
Cavity Tools Kit	40500005
Seal Kit	21191100

**WARNING:** the specifications/application data shown in our catalogs and data sheets are intended only as a general guide for the product described (herein). Any specific application should not be undertaken without independent study, evaluation, and testing for suitability.

DIMENSIONS



ORDERING INFORMATION

HB-S2K -

**OPTIONS**  
Standard, Buna **00**  
Viton **V0**

Blank  
**N**  
**N1**  
**S**  
**H**  
**H1**

**BODIES**

Without Body  
1/4" BSP Ports (aluminum)  
3/8" BSP Ports (aluminum)  
#6 SAE Ports  
1/4" BSP Ports (steel)  
3/8" BSP Ports (steel)  
**Aluminum bodies only for use up to 250 bar**

**VOLTAGE** (consult factory for other voltages)

**12** 12 Vdc  
**24** 24 Vdc  
**26** 26 Vdc

**"P" TYPE "J" COIL TERMINATION**

**JA** "J" Coil AMP Superseal - Integral  
**JD** "J" Coil Deutsch - Integral DT04-2P

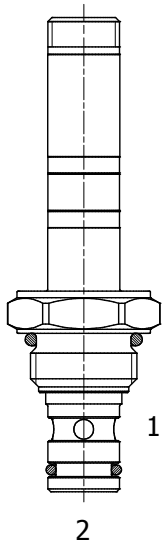
**JJ** "J" Coil AMP Jr. Time - Integral

**JL** "J" Coil Double Lead  
**JH** "J" Coil DIN 43650 (Hirschmann)

Approximate Coil Weight: .42 lbs (.19 kg)

**WARNING:** the specifications/application data shown in our catalogs and data sheets are intended only as a general guide for the product described (herein). Any specific application should not be undertaken without independent study, evaluation, and testing for suitability.

### PB-S2I Direct Acting Poppet, 2 Way Normally Closed



#### DESCRIPTION

8 size, 3/4-16 thread, "Power" series, solenoid operated, 2 way normally closed, bi-directional poppet valve.

#### OPERATION

When de-energized the PB-S2I blocks flow from (1) to (2) and from (2) to (1). When energized the valve allows flow from (1) to (2) and from (2) to (1).

**PUSH TYPE MANUAL OVERRIDE OPTION:** to override, push the manual override button.

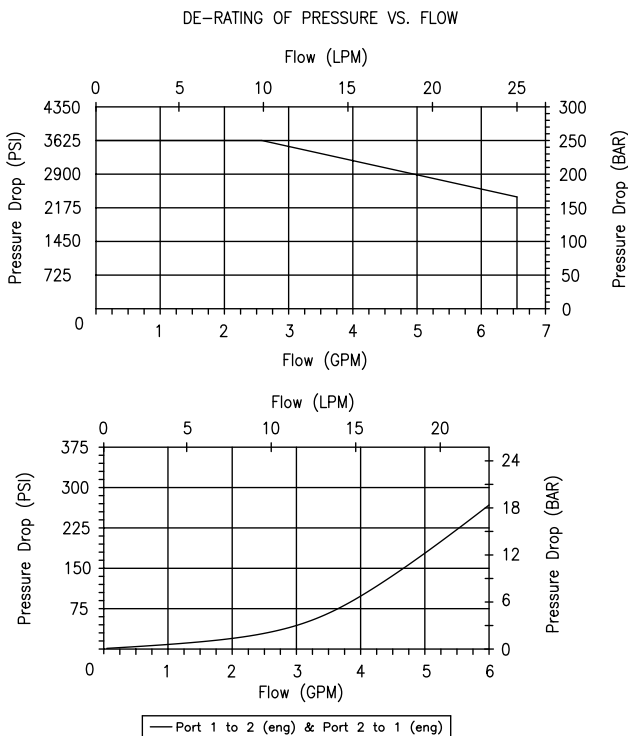
**SCREW TYPE MANUAL OVERRIDE OPTION:** to override, turn clockwise the manual override screw. To release, turn the manual override screw counter-clockwise.

#### FEATURES

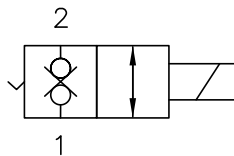
- Hardened parts for long life.
- Efficient wet-armature construction.
- Cartridges are voltage interchangeable.
- Industry common cavity.
- Unitized, molded coil design.
- Continuous duty rated solenoid.
- Optional coil voltages and terminations.

#### PERFORMANCE

Actual Test Data (Cartridge Only)



#### HYDRAULIC SYMBOL

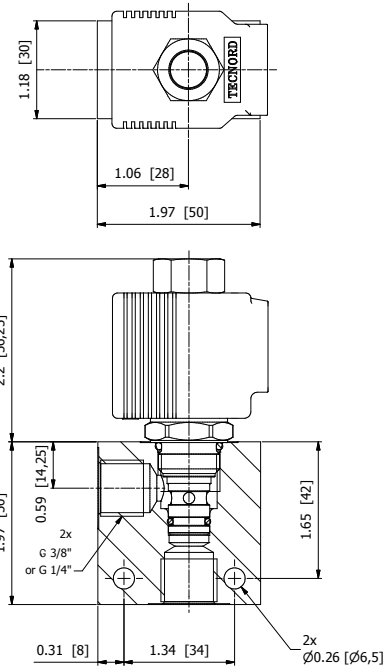
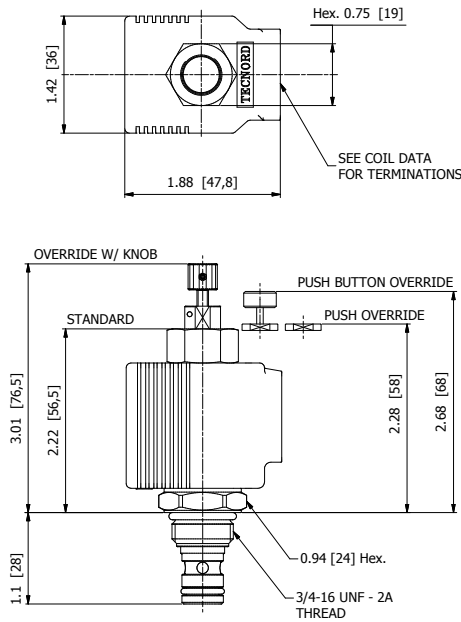


#### VALVE SPECIFICATIONS

Nominal Flow	4 GPM (15 LPM)
Rated Operating Pressure	3600 PSI (250 bar)
Typical Internal Leakage (150 SSU)	0-5 drops/min at 3600 PSI (250 bar)
Viscosity Range	36 to 3000 SSU (3 to 647 cSt)
Filtration	ISO 18/16/13
Media Operating Temp. Range	-40° to 210°F (-40° to 100°C)
	BUNA seals
	-4° to 250°F (-20° to 120°C)
	VITON seals
Weight	.29 lbs (.13 kg)
Operating Fluid Media	General Purpose Hydraulic Fluid
Cartridge Torque Requirements	41-47 Nm (30-35 ft-lbs)
Coil Nut Torque Requirements	4-6 Nm (3-4.5 ft-lbs)
Cavity	Power 2W
Cavity Tools Kit	40500005
Seal Kit	21191100

**WARNING:** the specifications/application data shown in our catalogs and data sheets are intended only as a general guide for the product described (herein). Any specific application should not be undertaken without independent study, evaluation, and testing for suitability.

DIMENSIONS



ORDERING INFORMATION

PB-S2I - - - -

<b>OPTIONS</b>	
Standard, Buna	<b>00</b>
Viton	<b>V0</b>
Buna, Push Pin Override	<b>0P</b>
Viton, Push Pin Override	<b>VP</b>
Buna, Push Button Override	<b>0B</b>
Viton, Push Button Override	<b>VB</b>
Buna, Screw Override	<b>0K</b>
Viton, Screw Override	<b>VK</b>

<b>BODIES</b>	
Blank	Without Body
<b>N</b>	1/4" BSP Ports (aluminum)
<b>N1</b>	3/8" BSP Ports (aluminum)
<b>S</b>	#6 SAE Ports
<b>H</b>	1/4" BSP Ports (steel)
<b>H1</b>	3/8" BSP Ports (steel)
<b>Aluminum bodies only for use up to 250 bar</b>	

<b>VOLTAGE</b>	<i>(others available on request)</i>
<b>12</b>	12 Vdc
<b>24</b>	24 Vdc
<b>26</b>	26 Vdc

**"P" TYPE "J" COIL TERMINATION**

<b>JA</b>	"J" Coil AMP Superseal - Integral	<b>JJ</b>	"J" Coil AMP Jr. Time - Integral	<b>JL</b>	"J" Coil Double Lead
<b>JD</b>	"J" Coil Deutsch - Integral DT04-2P			<b>JH</b>	"J" Coil DIN 43650 (Hirschmann)

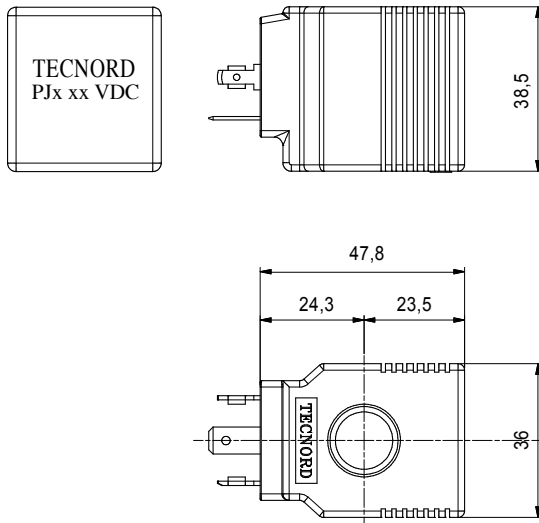
Approximate Coil Weight: .42 lbs (.19 kg)

**WARNING:** the specifications/application data shown in our catalogs and data sheets are intended only as a general guide for the product described (herein). Any specific application should not be undertaken without independent study, evaluation, and testing for suitability.





Coil Data - "P" Type "J" Coil



**DESCRIPTION**

1/2 inch (13 mm) Immersion Proof Coil.  
Color identification: black

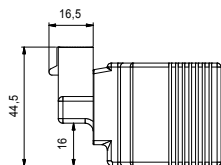
**FEATURES**

One piece encapsulated design that is:

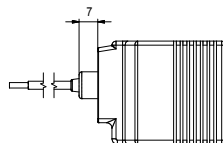
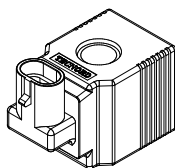
- Weatherproof
- Immersion proof
- Thermal shock/dunk tested
- No external metal shell
- Internal arc suppression diode available on request

**COIL SPECIFICATION**

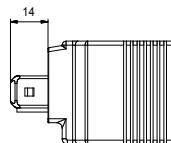
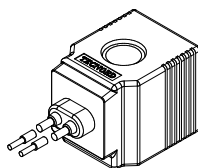
Wattage	21 Watts Nominal
Duty Rating	Continuous Duty $\pm 10\%$ rated voltage at 120°F (49°C) ambient
Min Current for Actuation	80% of rated current at room temperature
Magnet Wire Class	H
Heat insulation Class	F
Ambient Temperature Range	-30° to 60°C
Encapsulation Material	Thermo-Plastic, resistant to moisture, caustic solutions, fungus, and vibrations



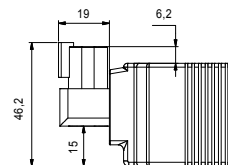
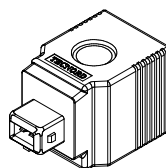
JA



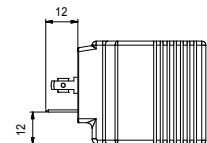
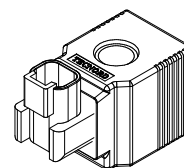
JL



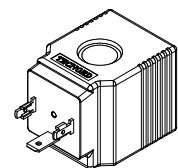
JJ



JD



JH



**ORDERING INFORMATION**

	P	-	-	
<b>TERMINATIONS</b>				<b>VOLTAGE</b>
"J" Coil AMP Superseal - Integral	JA		12	12 Vdc / 6.8 Ohm
"J" Coil Double lead	JL		24	24 Vdc / 27 Ohm
"J" Coil AMP Jr. Timer - Integral	JJ		26	26 Vdc / 32 Ohm
"J" Coil AMP Jr. Timer - Integral	JJ			
"J" Coil Deutsch - Integral DT04-2P	JD			
"J" Coil DIN 43650 (Hirschmann)	JH			

Approximate Coil Weight: .42 lbs (.19 kg)

**WARNING:** the specifications/application data shown in our catalogs and data sheets are intended only as a general guide for the product described (herein). Any specific application should not be undertaken without independent study, evaluation, and testing for suitability.

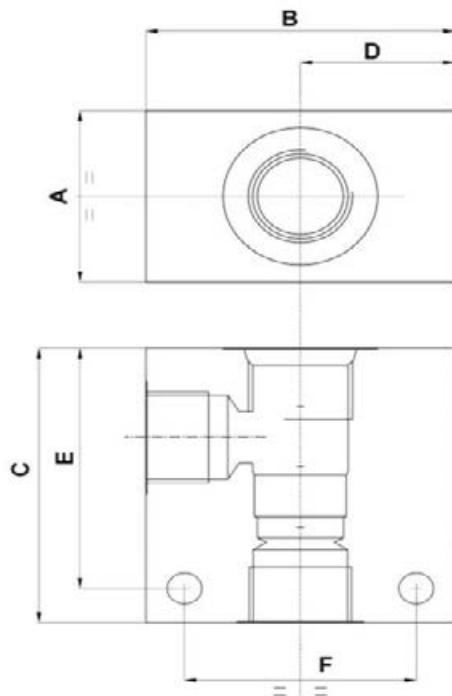
### Valve Bodies

#### Standard Bodies (aluminium made) weight 0.18 kg

Port Size	Ordering code	Style / Size	Dimensions					
			A	B	C	D	E	F
1/4 BSP	13.1011.124	2W-3/4	30	50	50	23	42	34
3/8 BSP	13.1011.125	2W-3/4	30	50	50	23	42	34
#6 SAE	13.1011.144	2W-3/4	30	50	50	23	42	34

#### Standard Bodies (steel made) weight 0.5 kg

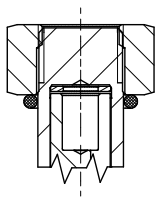
Port Size	Ordering code	Style / Size	Dimensions					
			A	B	C	D	E	F
1/4 BSP	13.1011.232	2W-3/4	30	50	50	23	42	34
3/8 BSP	13.1011.233	2W-3/4	30	50	50	23	42	34
#6 SAE	13.1011.234	2W-3/4	30	50	50	23	42	34



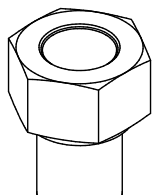
**WARNING:** the specifications/application data shown in our catalogs and data sheets are intended only as a general guide for the product described (herein). Any specific application should not be undertaken without independent study, evaluation, and testing for suitability.

Manual Override Options

NO OVERRIDE

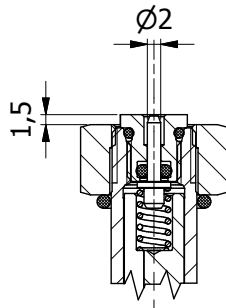


...-...-00

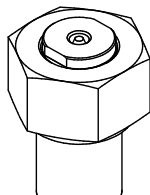


For all cartridge types

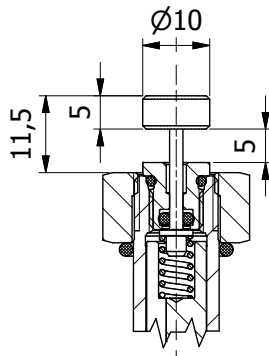
PUSH  
OVERRIDE



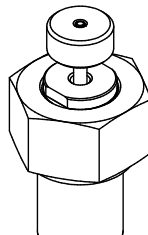
...-...-0P



PUSH  
BUTTON  
OVERRIDE  
(normal operation)

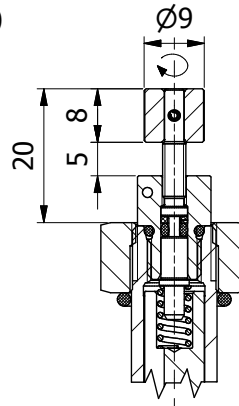


...-...-0B



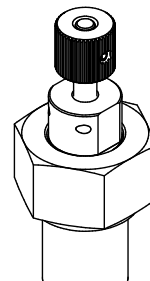
For cartridge types S2C, S2D, S2I

SCREW  
KNOB  
OVERRIDE  
(normal operation)

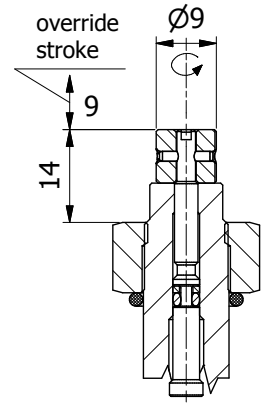


...-...-0K

turn  
clockwise  
to override

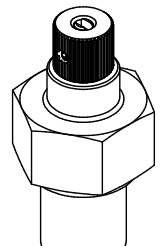


SCREW  
KNOB  
OVERRIDE  
(normal operation)



...-...-0K

turn  
anti-clockwise  
to override



For cartridge types S2A, S2B

**WARNING:** the specifications/application data shown in our catalogs and data sheets are intended only as a general guide for the product described (herein). Any specific application should not be undertaken without independent study, evaluation, and testing for suitability.



# TECNORD COMPREHENSIVE PRODUCT LINE



## TECNORD srl

Via Malavolti, 36 - 41122 Modena - Italy

Tel. +39 059/254895 - Fax +39 059/253512

mail: [tecnord@tecnord.com](mailto:tecnord@tecnord.com)

[www.tecnord.com](http://www.tecnord.com)



## DELTA POWER COMPANY

4484 Boeing Drive Rockford, IL 61109 - USA

Phone +1 (815) 397-6628 - Fax +1 (815) 397-2526

mail: [delta@delta-power.com](mailto:delta@delta-power.com)

[www.delta-power.com](http://www.delta-power.com)

## TECNORD

COMPREHENSIVE PRODUCT LINE

SOLENOID OPERATED ON-OFF CARTRIDGE VALVES

MECHANICAL CARTRIDGE VALVES

PROPORTIONAL CARTRIDGE VALVES

TRANSMISSIONS & BRAKE VALVES

HYDRAULIC INTEGRATED CIRCUITS (HIC)

PWM DRIVERS

MACHINE MANAGEMENT SYSTEMS (MMS)

CUSTOMIZED SOFTWARE

JOYSTICK CONTROLLERS AND GRIPS

CABLE REMOTE CONTROL BOX

RC-DBM RADIO REMOTE CONTROL

RC-TRL RADIO REMOTE CONTROL CANBUS

MULTIDROM PROPORTIONAL ACTUATORS

TDV 100 DIRECTIONAL VALVES

PRE-ENGINEERED SYSTEMS

ECOMATIC SYSTEM

ARM-REST CONTROL UNIT

AUTOMATIC LEVELLING SYSTEM